

Condenser plastic Fresnel lens

Condenser plastic Fresnel lens and solar panels generally use the box design approach to achieve the best possible results.

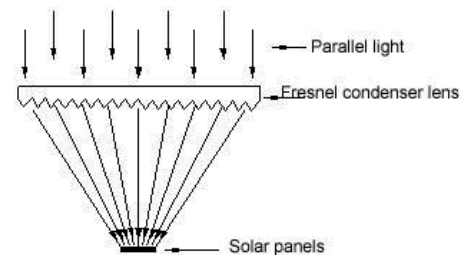
Solar arrays uses Fresnel condenser lens with following benefits :

- High precision optical components
- High precision thin thread forming process
- High refractive index,
- Minimum optical losses
- High-intensity
- High transmittance and anti-aging,
- Anti-ultraviolet radiation

Ultimately, the cost of solar cell is several times lower than normal capacity, which provides maximum benefits to the user.

The cutting edge design of Fresnel lens and Solar panels generates superior amount of electricity, with customized lens size and incidence angle.

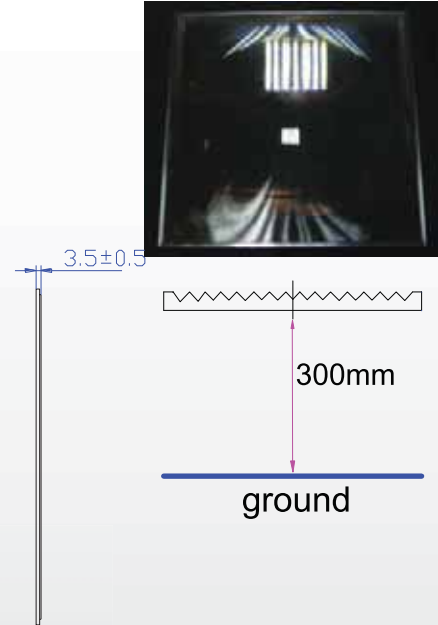
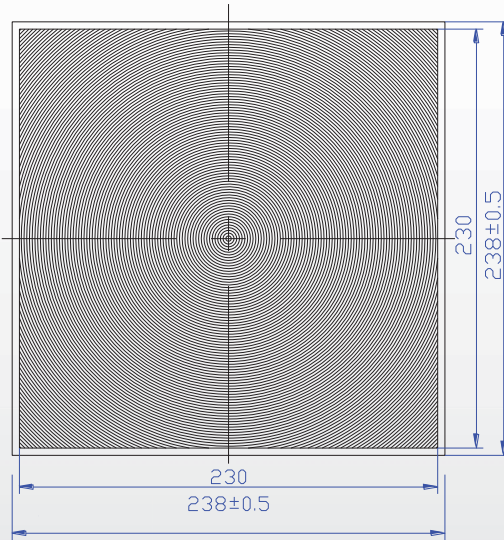
Point of Contact
Oversea sales
Myung Joong KIM
kim.diypro@gmail.com
+82 70-7605-1652



Condenser plastic Fresnel lens

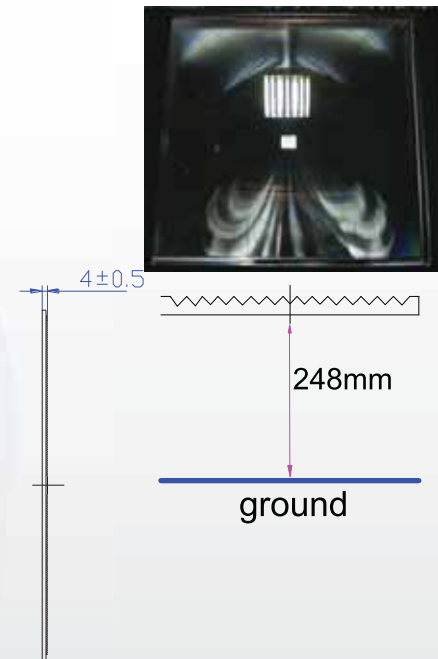
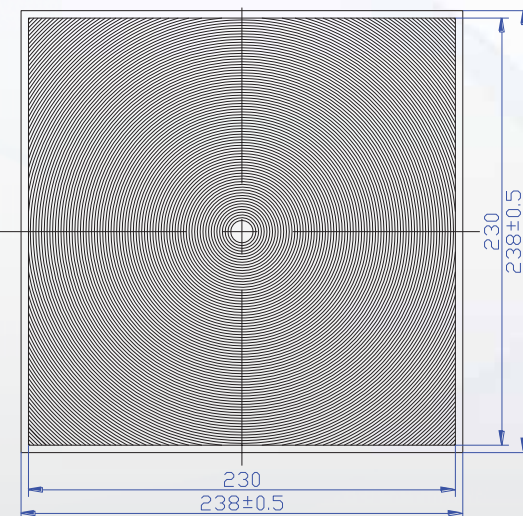
CP300-230

FOCUS	300
PITCH	0.5
MATERIAL	PMMA
UNIT	mm
TYPE	CPV



CP248-230

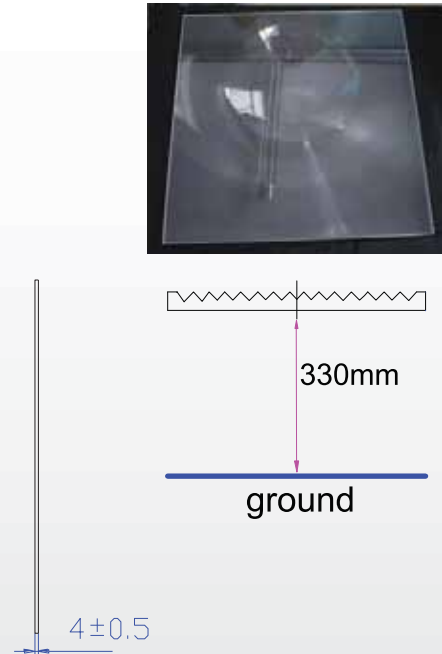
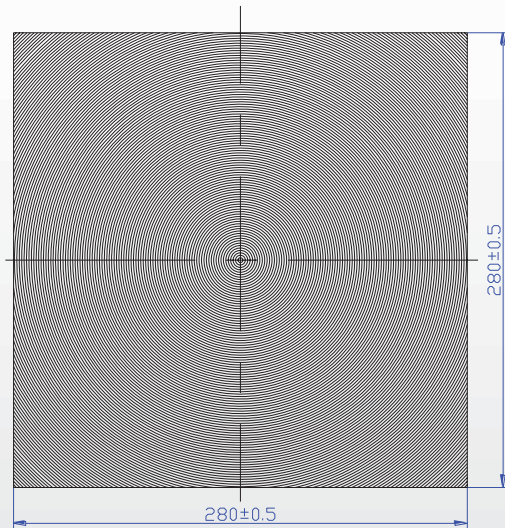
FOCUS	248
PITCH	1
MATERIAL	PMMA
UNIT	mm
TYPE	CPV



Condenser plastic Fresnel lens

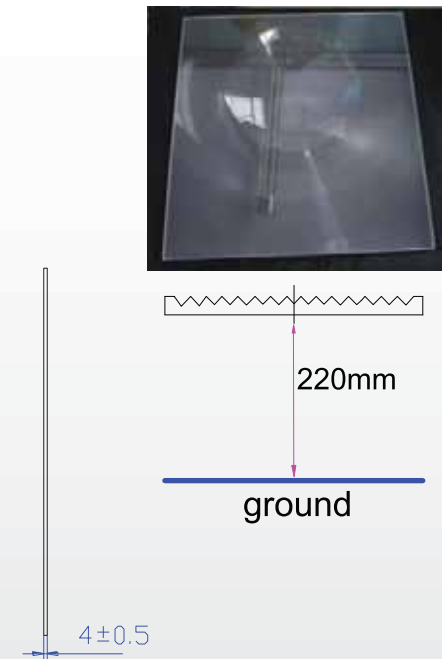
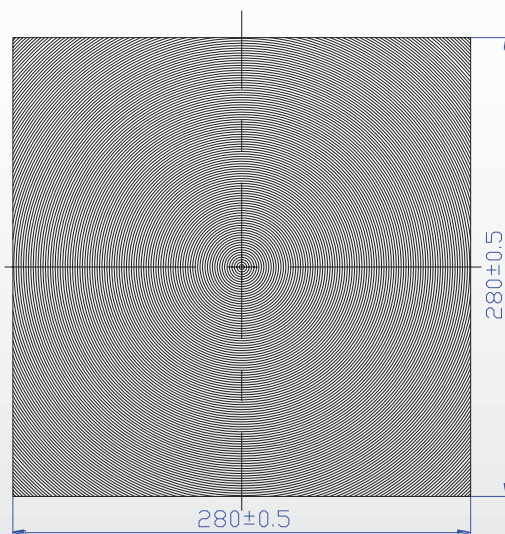
CP330-280

FOCUS	330
PITCH	0.5
MATERIAL	PMMA
UNIT	mm
TYPE	CPV



CP220-280

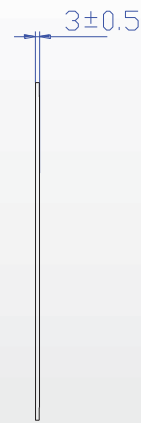
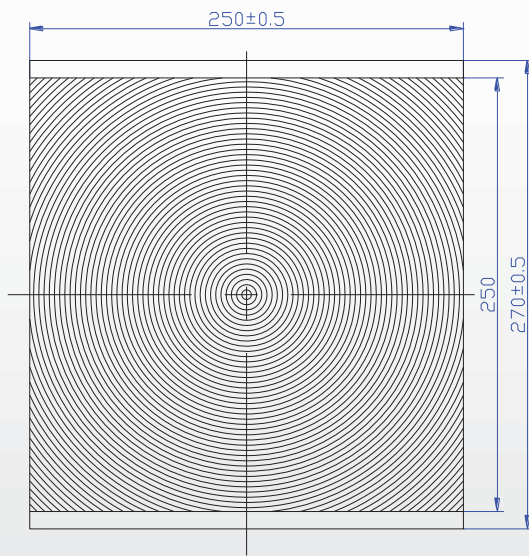
FOCUS	220
PITCH	0.5
MATERIAL	PMMA
UNIT	mm
TYPE	CPV



Condenser plastic Fresnel lens

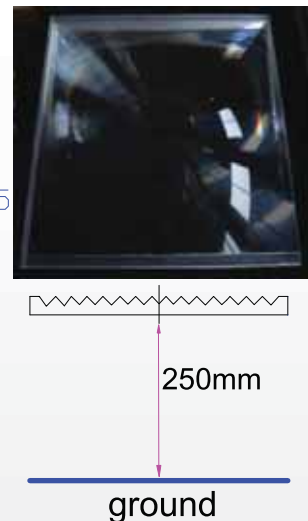
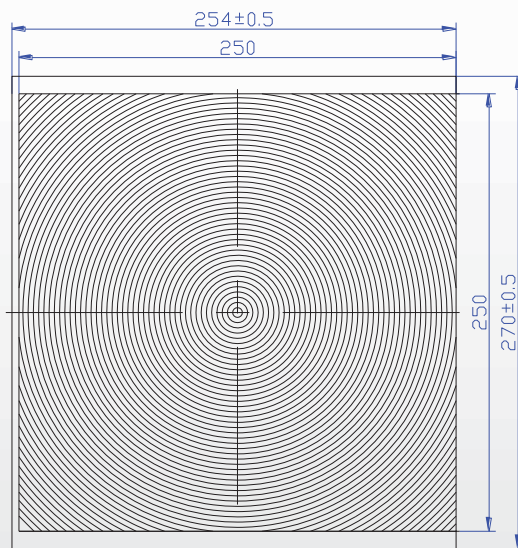
CP250-270

FOCUS	250
PITCH	1
MATERIAL	PMMA
UNIT	mm
TYPE	CPV



CP250-250

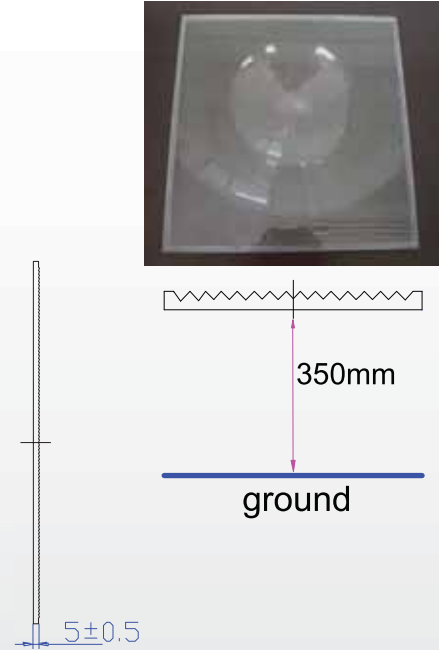
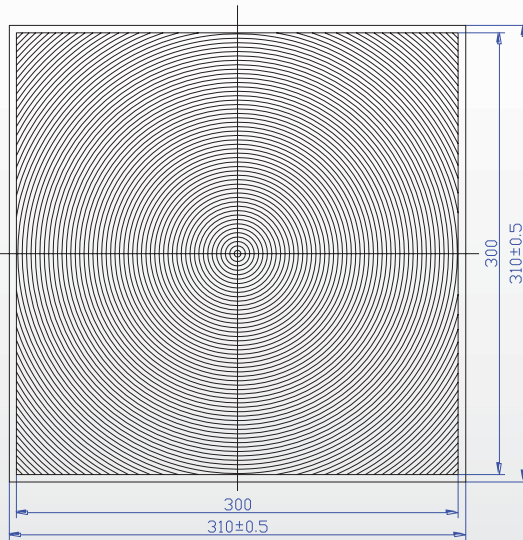
FOCUS	250
PITCH	1
MATERIAL	PMMA
UNIT	mm
TYPE	CPV



Condenser plastic Fresnel lens

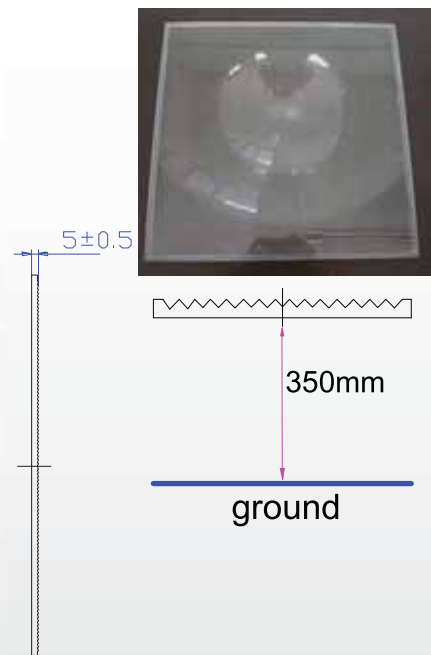
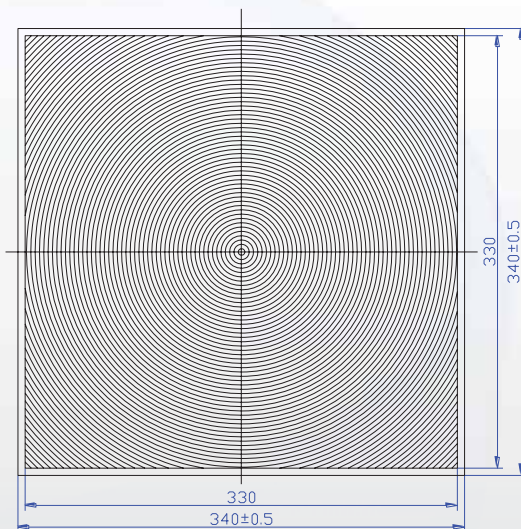
CP350-300

FOCUS	350
PITCH	1
MATERIAL	PMMA
UNIT	mm
TYPE	CPV



CP350-330C

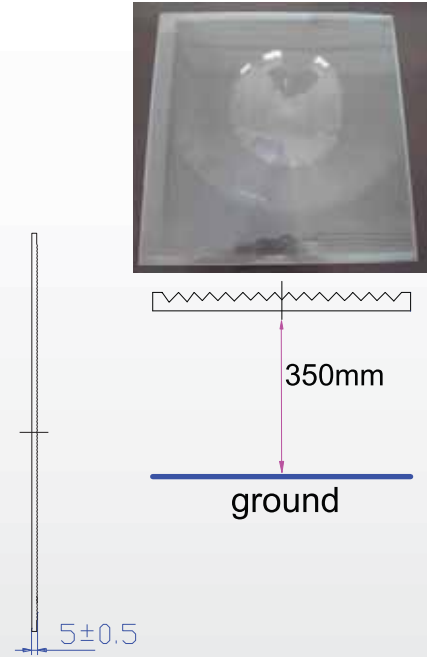
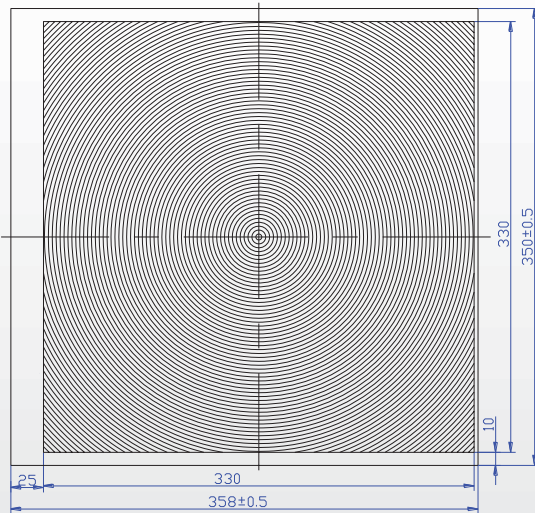
FOCUS	350
PITCH	1
MATERIAL	PMMA
UNIT	mm
TYPE	CPV



Condenser plastic Fresnel lens

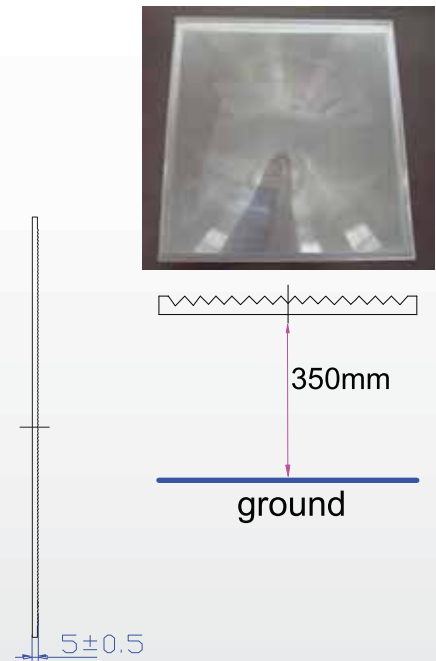
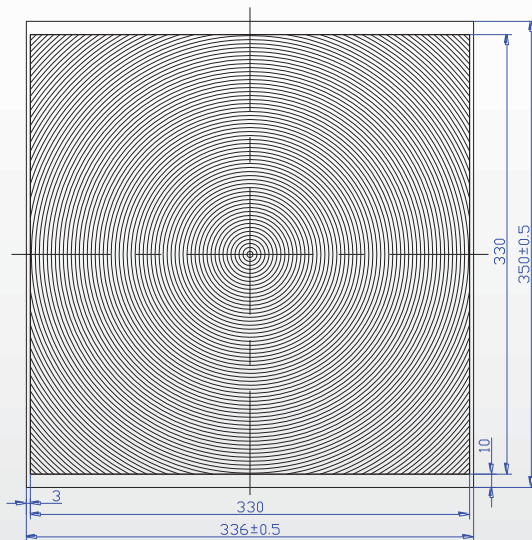
CP350-330B

FOCUS	350
PITCH	1
MATERIAL	PMMA
UNIT	mm
TYPE	CPV



CP350-330

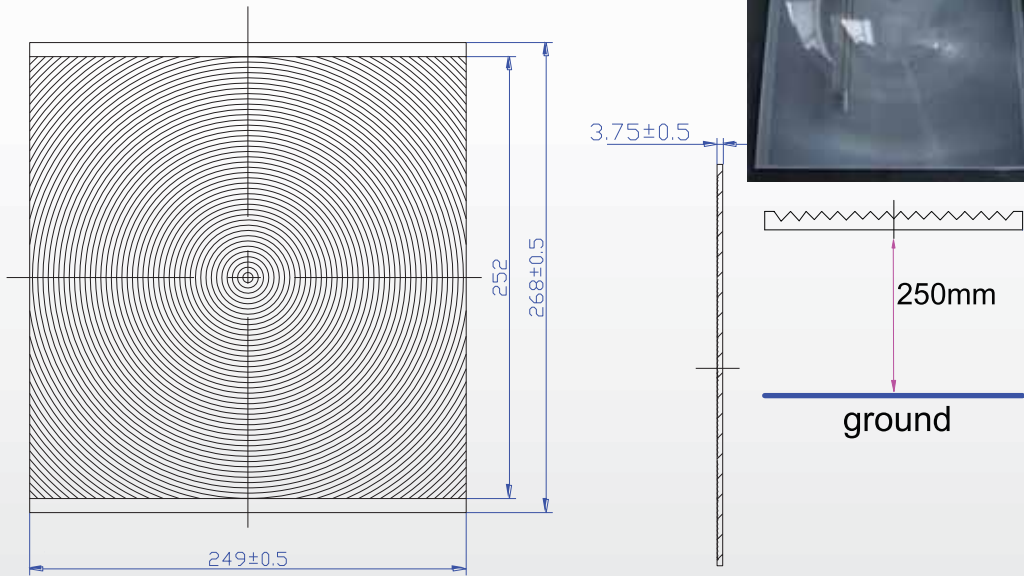
FOCUS	350
PITCH	1
MATERIAL	PMMA
UNIT	mm
TYPE	CPV



Condenser plastic Fresnel lens

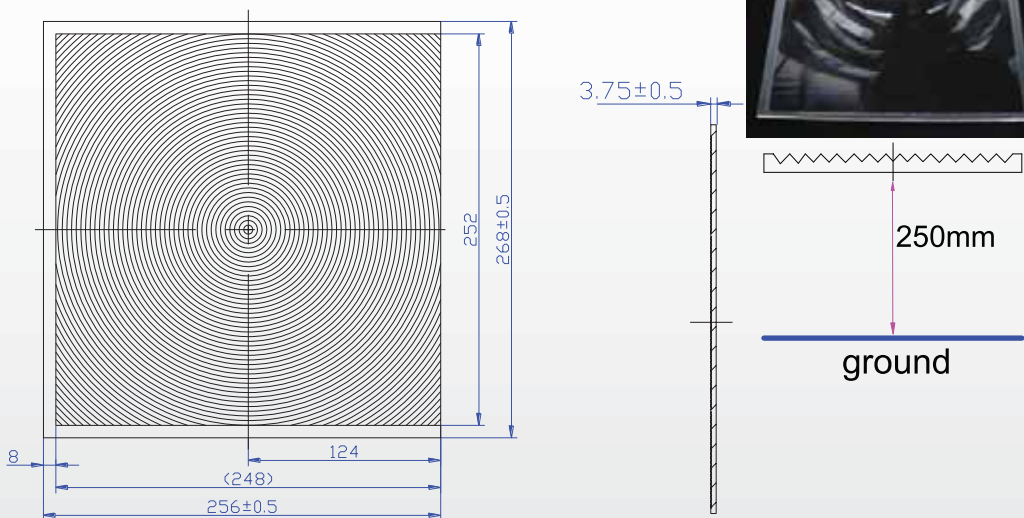
CP250-25249

FOCUS	250
PITCH	1
MATERIAL	PMMA
UNIT	mm
TYPE	CPV



CP250-25248

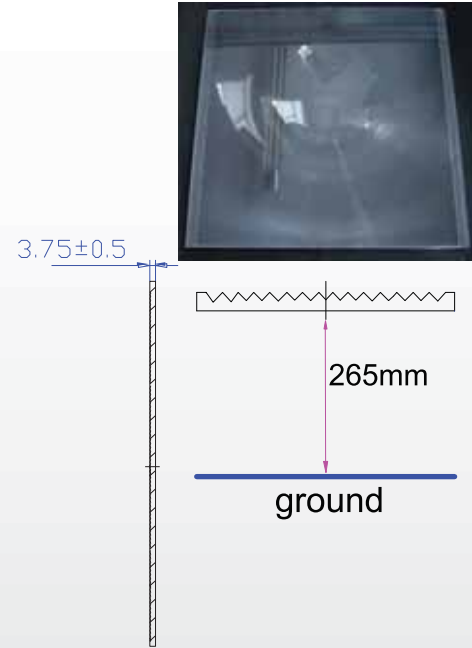
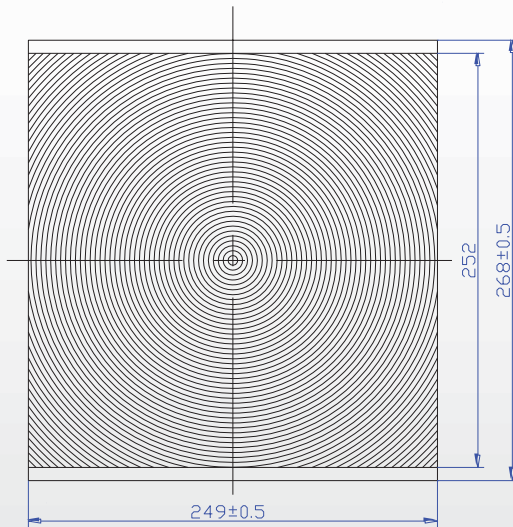
FOCUS	250
PITCH	1
MATERIAL	PMMA
UNIT	mm
TYPE	CPV



Condenser plastic Fresnel lens

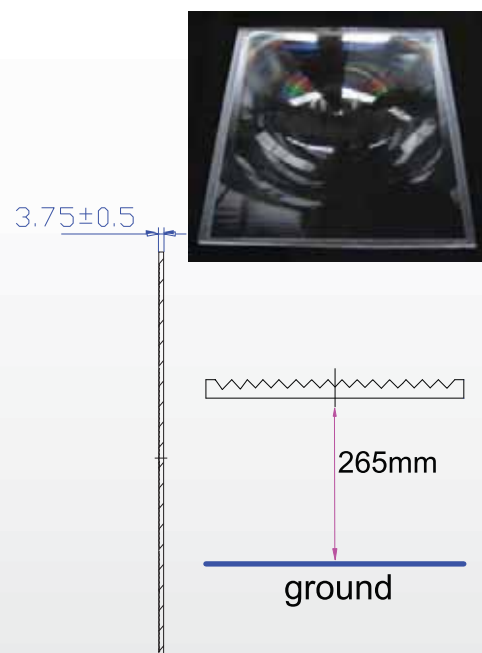
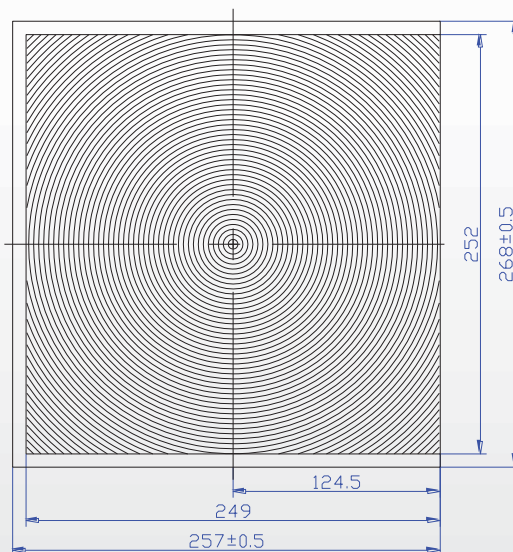
CP265-25249

FOCUS	265
PITCH	1
MATERIAL	PMMA
UNIT	mm
TYPE	CPV



CP265-25249

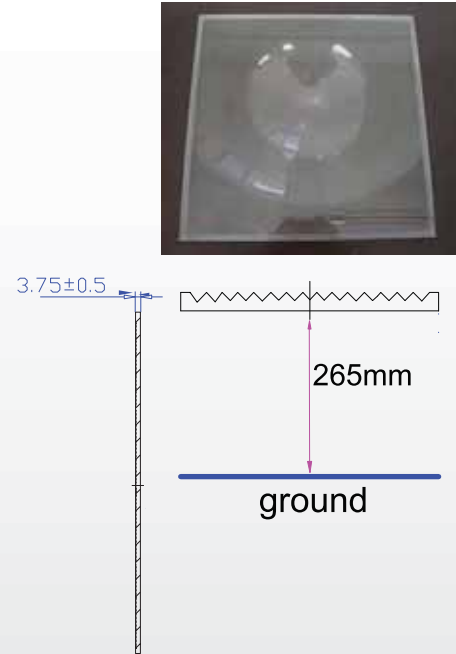
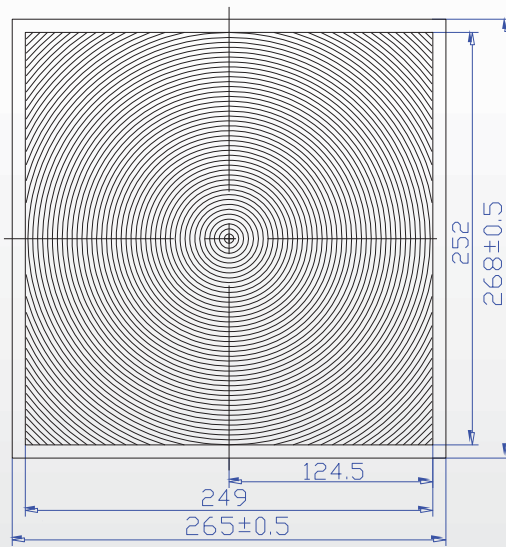
FOCUS	265
PITCH	1
MATERIAL	PMMA
UNIT	mm
TYPE	CPV



Condenser plastic Fresnel lens

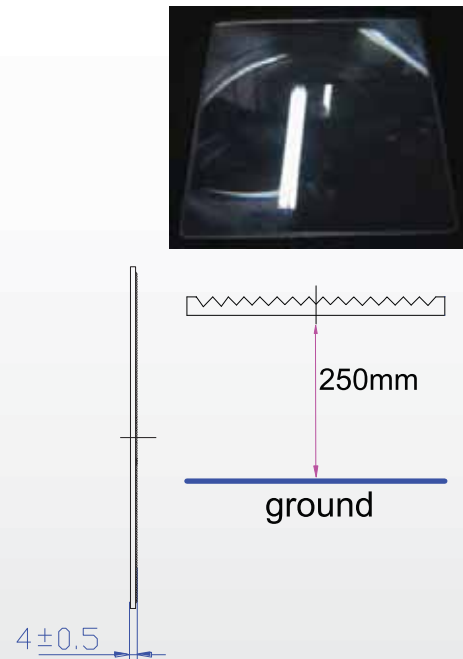
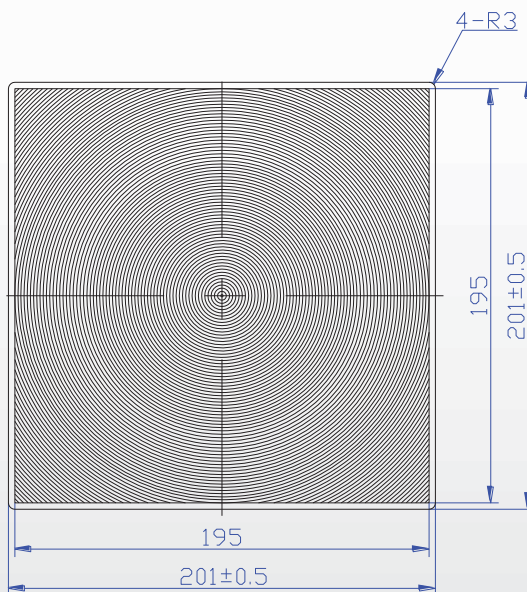
CP265-25249B

FOCUS	265
PITCH	1
MATERIAL	PMMA
UNIT	mm
TYPE	CPV



CP250-195

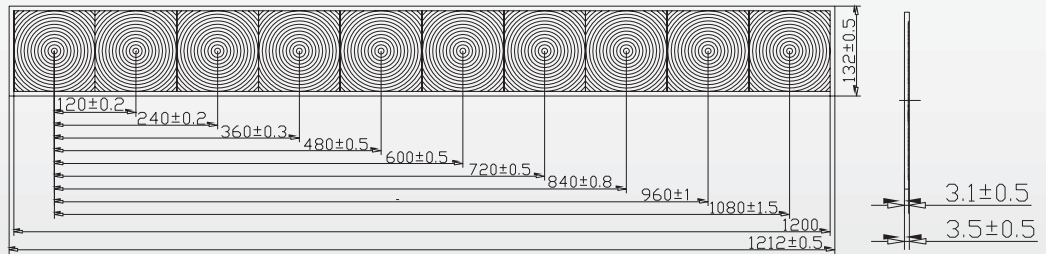
FOCUS	250
PITCH	1
MATERIAL	PMMA
UNIT	mm
TYPE	CPV



Condenser plastic Fresnel lens

CP150-M1212

FOCUS	150
PITCH	1
MATERIAL	PMMA
UNIT	mm
TYPE	CPV



CP182-235

FOCUS	182
PITCH	0.5
MATERIAL	PMMA
UNIT	mm
TYPE	CPV

