

Large Fresnel Lens

Screen, large Phil pinch lens

Our company is improving our skills and systems of Diamond Turning Machine for large size Fresnel lens.

We are one of world leading company of mold and large Fresnel lens. Base on this technical advantage, we develop lenses for concentration, solar oven, integral photonics and magnifier

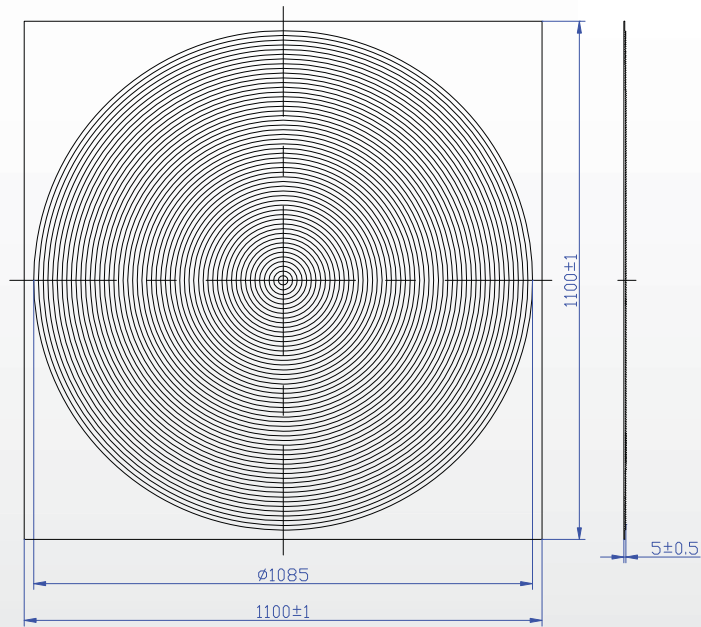
Point of Contact
Oversea sales
Myung Joong KIM
kim.diypro@gmail.com
+82 70-7605-1652



Large Fresnel Lens

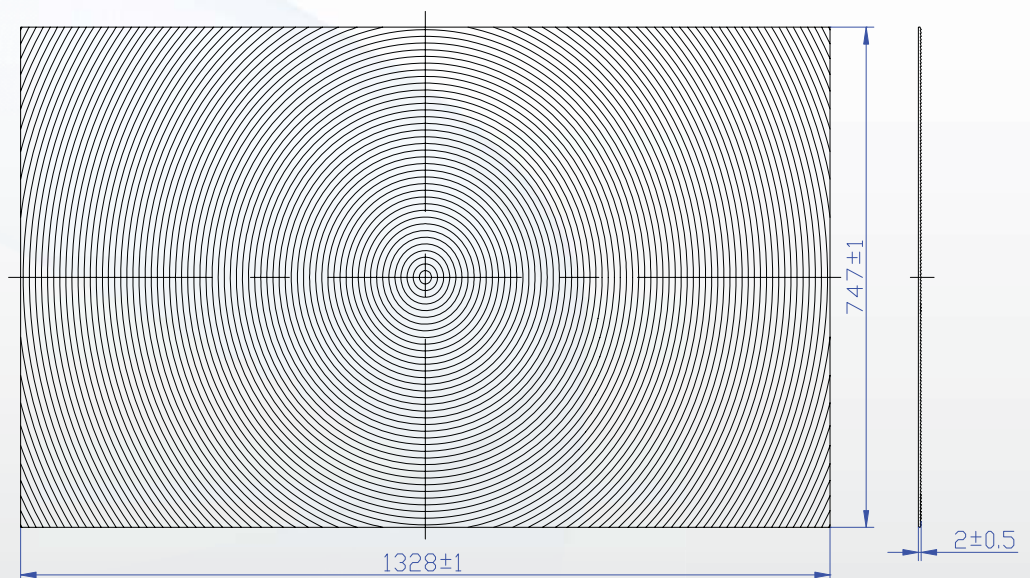
LF1300-1100

FOCUS	1300
PITCH	0.5
MATERIAL	PMMA
UNIT	mm
TYPE	



LF1100-1328

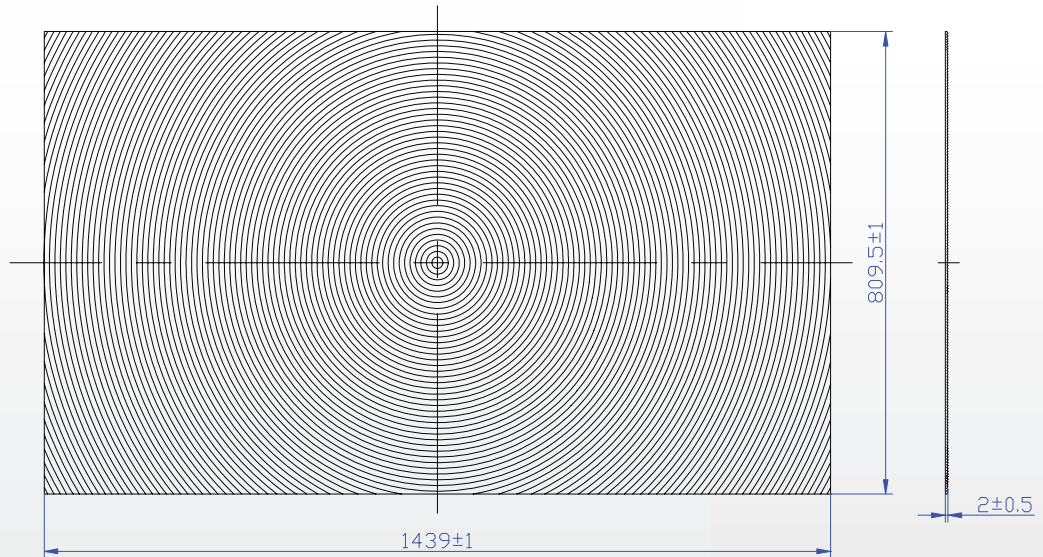
FOCUS	1100
PITCH	0.14
	60"
MATERIAL	PMMA
UNIT	mm
TYPE	RearProjector



Large Fresnel Lens

LF1100-1439

FOCUS	1100
PITCH	0.14
	65"
MATERIAL	PMMA
UNIT	mm
TYPE	RearProjector



LF890-812

FOCUS	890
PITCH	0.5
MATERIAL	PMMA
UNIT	mm
TYPE	

